

KEY FEATURES

- 1" (25 mm) compression driver
- Power handling: 40 W_{AES} above 1,2 kHz
- High sensitivity: 108 dB (1W / 1m)
- Extended frequency range: 0,8 - 18 kHz
- Low harmonic distortion
- 1,75" aluminum voice coil with polyimide former
- Power handling: 60 W_{AES} above 2 kHz
- Lightweight polyester diaphragm
- Ferrite magnet

TECHNICAL SPECIFICATIONS

Throat diameter	25,4 mm	1 in
Rated impedance		8 Ω
Minimum impedance	5,3 Ω @ 4,3 kHz	
D.C. resistance		5,6 Ω
Power capacity*	40 W _{AES} above 1,2 kHz	
	60 W _{AES} above 2 kHz	
Program power	80 W above 1,2 kHz	
	120 W above 2 kHz	
Sensitivity**	108 dB 1W / 1m @ Z _N	
	coupled to TD-250	
Frequency range	0,8 - 18 kHz	
Recommended crossover	1,2 kHz or higher	
	(12 dB/oct min.)	
Voice coil diameter	44,4 mm	1,75 in
Flux density		1,8 T
BI factor		9,3 N/A

MOUNTING INFORMATION

Overall diameter	120 mm	4,72 in
Depth	61 mm	2,40 in
Mounting	Three M5 threaded holes, 120° apart on 57 mm (2,24") diameter circle	
	Two M5 threaded holes, 180° apart on 76,2 mm (3") diameter circle	
Net weight	2,2 kg	4,84 lb
Shipping weight	2,35 kg	5,17 lb

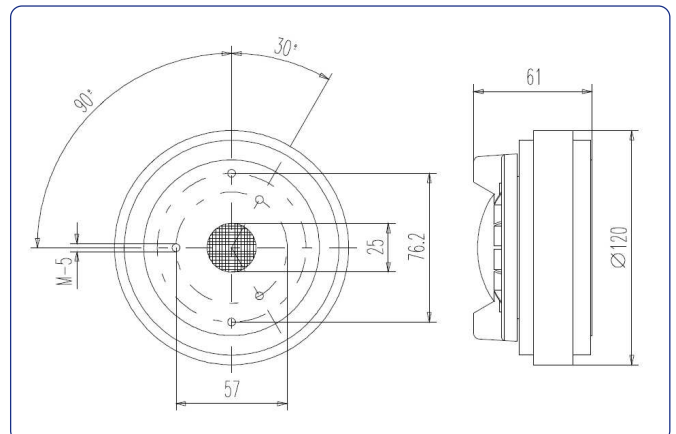
Notes:

* The power capacity is determined according to AES2-1984 (r2003) standard. Program power is defined as the transducer's ability to handle normal music program material.

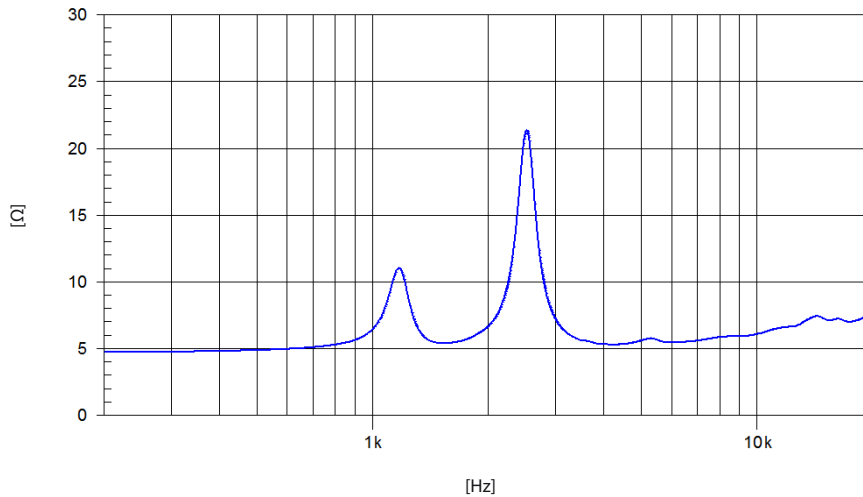
** Sensitivity was measured at 1m distance, on axis, with 1W input, averaged in the range 1 - 7 kHz.



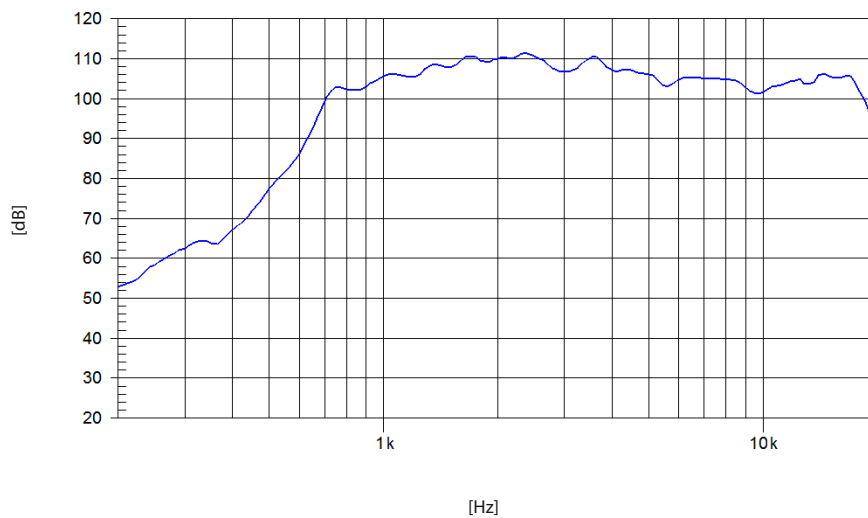
DIMENSION DRAWINGS



FREE AIR IMPEDANCE CURVE



FREQUENCY RESPONSE



Note: On axis frequency response measured coupled to TD-250 horn in anechoic chamber, 1W @ 1m